

Features

- Top-quality performing 75Ω BNC
- Quick, reliable connection
- Intermateable with 50Ω series

Applications

- TV broadcasting
- CCTV
- Satellite receivers
- Medical imaging equipment, etc.
- CATV transmitters
- Telecommunications
- Computer networking

Part Numbering

Products	Product Number	Description	Impedance (Ohms)	Frequency Range
Plug	BNCCHD-PC-1505A-*	Crimp type, Straight, Belden 1505A cable	75Ω	DC-3GHz
	BNCCHD-PC-4855R-*	Crimp type, Straight, Belden 4855R cable		DC-12GHz
	BNCCHD-PC-4694R-*	Crimp type, Straight, Belden 4694R cable		DC-12GHz
	BNCCHD-PC-4731R-*	Crimp type, Straight, Belden 4713R cable		DC-12GHz
Jack	BNCCHD-J3R-PCB-*	Straight, 3 Legs	75Ω	DC-3GHz or DC-12GHz
	BNCCHD-J3R1-PCB-*	Straight, 3 Legs		DC-3GHz or DC-12GHz(Coming soon)
	BNCCHD-J4R-PCB-*	Straight, 4 Legs		DC-3GHz or DC-12GHz(Coming soon)
	BNCCHD-J4R1-PCB-*	Straight, 4 Legs		DC-3GHz or DC-12GHz(Coming soon)
	BNCCHD-BJ4R-PCB-*	Bulkhead, Straight, 4Legs		DC-3GHz or DC-12GHz
	BNCCHD-BJ3RE-PCB-*	Bulkhead, Straight, Launch		DC-3GHz
	BNCCHD-LBJ4R-PCB-*	Bulkhead, Right angle, 4 Legs		DC-3GHz or DC-12GHz
Adapter	BNCCHD-A-JJ-*	Jack to Jack	75Ω	DC-3GHz or DC-12GHz
	BNCCHD-BA-JJ-*	Jack to Jack, Isolated, Bulkhead		DC-3GHz or DC-12GHz(Coming soon)

Product Number option * : 3 (Frequency range DC to 3GHz)

12 (Frequency range DC to 12GHz)

Major Performances


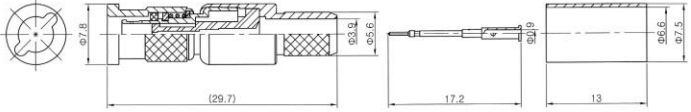
Frequency range	DC-3GHz	Insulation Resistance	10,000MΩ min	
Impedance (Ohms)	75Ω	Contact Resistance	Center Contact	5mΩ Max
			Outer Contact	2.5mΩ Max
Voltage rating	170V	V.S.W.R	Straight 3GHz	1.2
Dielectric withstanding Voltage	1000 VRMS		Right angle 3GHz	1.2
Mating	Bayonet type	Durability	500 cycle	

Frequency range	DC-12GHz	Insulation Resistance	10,000MΩ min	
Impedance (Ohms)	75Ω	Contact Resistance	Center Contact	5mΩ Max
			Outer Contact	2.5mΩ Max
Voltage rating	170V	V.S.W.R	Straight 6GHz	1.2
Dielectric withstanding Voltage	1000 VRMS		Straight 12GHz	1.5
		Right angle 6GHz	1.2	
		Right angle 12GHz	2.0	
Mating	Bayonet type	Durability	500 cycle	


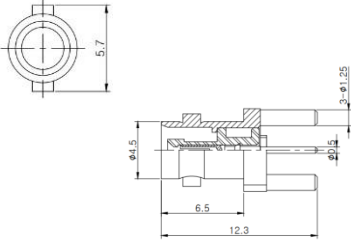
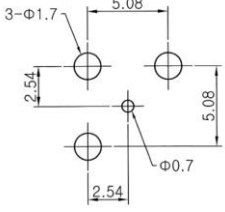

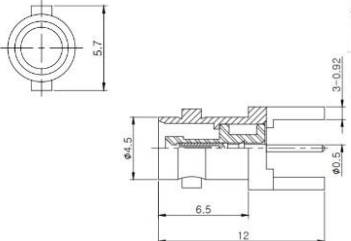
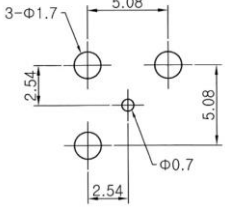

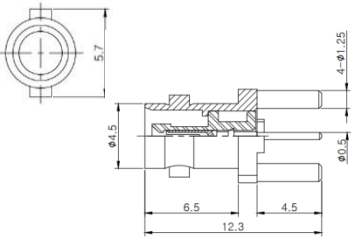
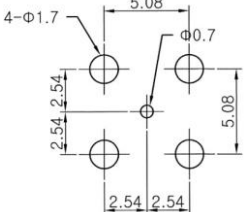
Material Used / Finish

General		Material	Finish
Body		Brass	Ni or Gold Plating
Insulator		PTFE	White
Contacts	Male	Brass	Gold Plating
	Female	Cu-Be	Gold Plating

■ BNCCHD PLUG

Part Number	Picture	Drawing
BNCCHD-PC-1505A BNCCHD-PC-4855R BNCCHD-PC-4694R BNCCHD-PC-4731R		


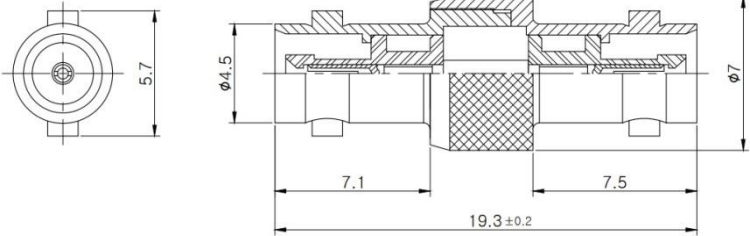
■ BNCCHD JACK

Part Number	Picture	Drawing	PCB hole layout
BNCCHD-J3R-PCB			
BNCCHD-J3R1-PCB			
BNCCHD-J4R-PCB			

■ BNCCHD JACK

Part Number	Picture	Drawing	Panel hole layout	PCB hole layout
BNCCHD-J4R1-PCB				
BNCCHD-BJ4R-PCB				
BNCCHD-BJ3RE-PCB				
BNCCHD-LBJ4R-PCB				

■ BNCCHD ADAPTER

Part Number	Picture	Drawing
BNCCHD-A-JJ		
BNCCHD-BA-JJ	